



GL&V

Dewatering Solutions

For the pulp and paper industry

Engineering by GL&V

Application

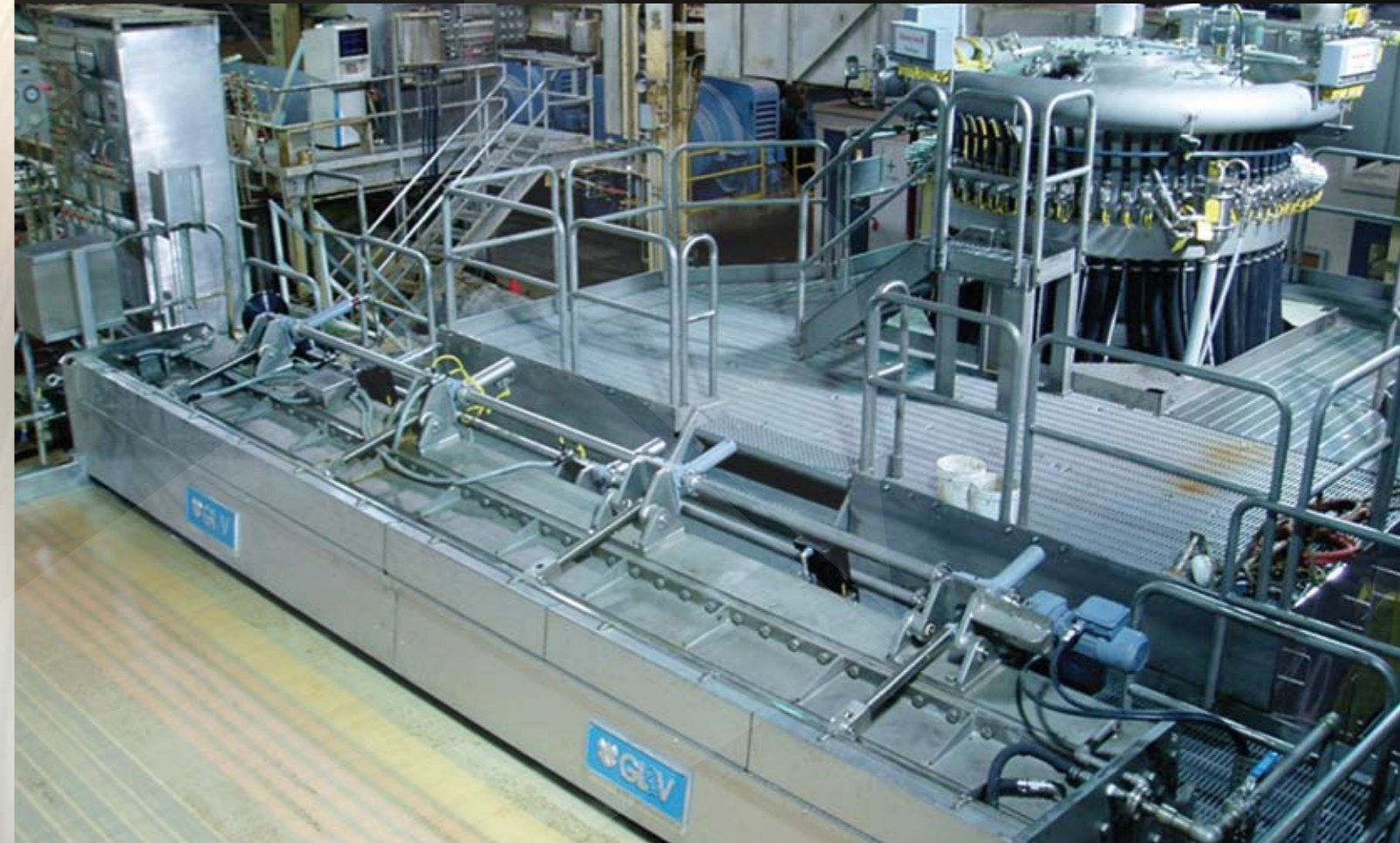
Cum ipit laorem augait etue do cortiniam, velit ercip exerci te feugait dolore elent nulputat.

- praesed dolobore feum
- nim do dnt endrem iriuscinis at
- Cidunt doloreet la faccum

Project

Percillan utpat. Um duis non et, velestrud te delit, se verciliqui eugiat. Duis nullaor iuscidunt ver sit il ullaore er sequi ti.

- praesed dolobore feum
- nim do dnt endrem iriuscinis at
- Cidunt doloreet la faccum



Solution

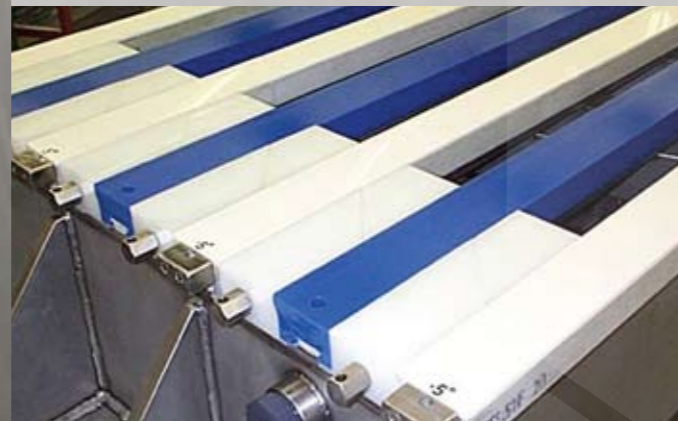
Magna feugiat. Dui el ipsustrud tincillum esequam, quipit ing et vulland igniscilit, se dui blan vulput velismod te faccum

- praesed dolobore feum
- nim do dnt endrem iriuscinis at
- Cidunt doloreet la faccum

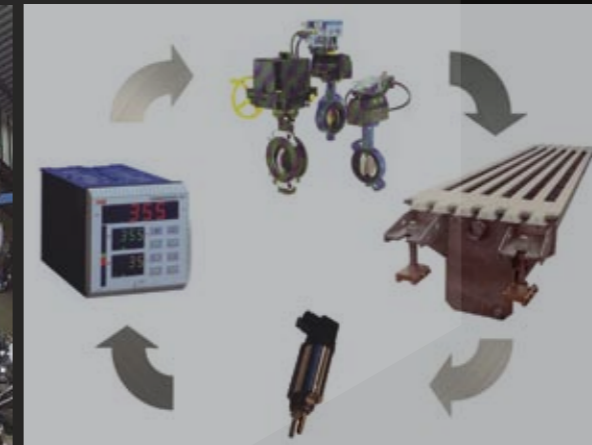
Options

Magna feugiat. Dui el ipsustrud tincillum esequam, quipit ing et vulland igniscilit, se dui blan vulput velismod te faccum

- praesed dolobore feum
- nim do dnt endrem iriuscinis at
- Cidunt doloreet la faccum



GLV Pulp and Paper Group specializes in the design and global marketing of equipment and systems used in various stages of pulp and paper production, notably chemical pulping, pulp preparation and sheet formation and finishing. This group ranks among the foremost players in its industry and is a recognized leader in rebuilding, upgrading and optimization services for existing equipment, as well as the sale of spare parts.



Engineering by GL&V

Application

Cum ipit laorem augait etue do cortiniam, velit ercip exerci te feugait dolore elent nulputat.

- praesed dolobore feum
- nim do dnt endrem iriuscinis at
- Cidunt doloreet la faccum

Project

Percillan utpat. Um duis non et, velestrud te delit, se verciliqui eugiat. Duis nullaor iuscidunt ver sit il ullaore er sequi ti.

- praesed dolobore feum
- nim do dnt endrem iriuscinis at
- Cidunt doloreet la faccum



Solution

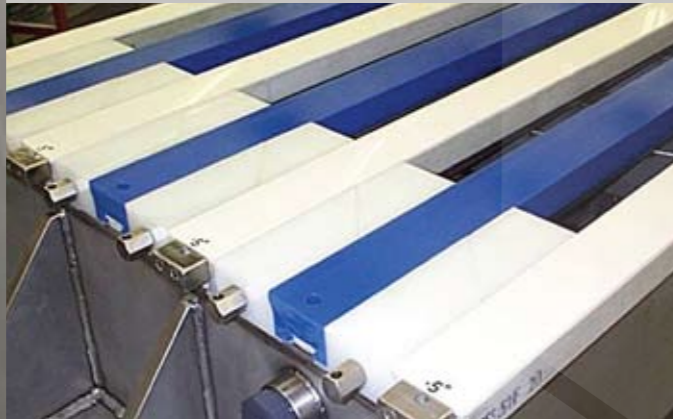
Magna feugiat. Dui el ipsustrud tincillum esequam, quipit ing et vulland igniscilit, se dui blan vulput velismod te faccum

- praesed dolobore feum
- nim do dnt endrem iriuscinis at
- Cidunt doloreet la faccum

Options

Magna feugiat. Dui el ipsustrud tincillum esequam, quipit ing et vulland igniscilit, se dui blan vulput velismod te faccum

- praesed dolobore feum
- nim do dnt endrem iriuscinis at
- Cidunt doloreet la faccum



Dewatering Units



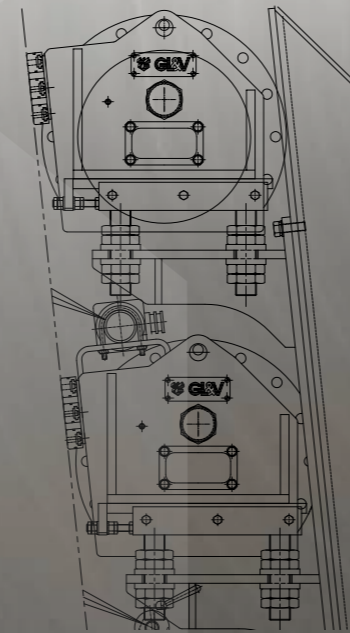
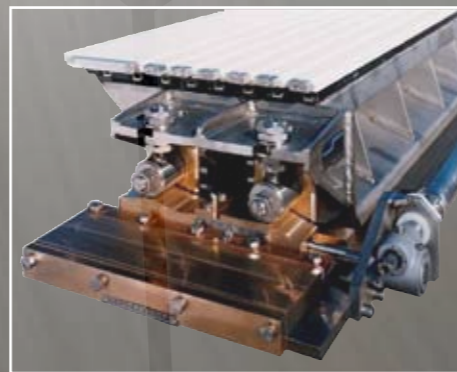
Image Description to be placed here

Cidunt doloreet la faccum andion utat non elenis nit, quatum quis aliquisit praesed dolobore feum nim do dolobore digna cor iriuscidunt endrem iriuscinis at

- praesed dolobore feum
- nim do dnt endrem iriuscinis at
- Cidunt doloreet la faccum
- andion n elenis nit, quatum

Units designed to suit your needs

Cidunt doloreet la faccum andion utat non elenis nit, quatum quis aliquisit praesed dolobore feum dolobore dign.



Premium Ceramics

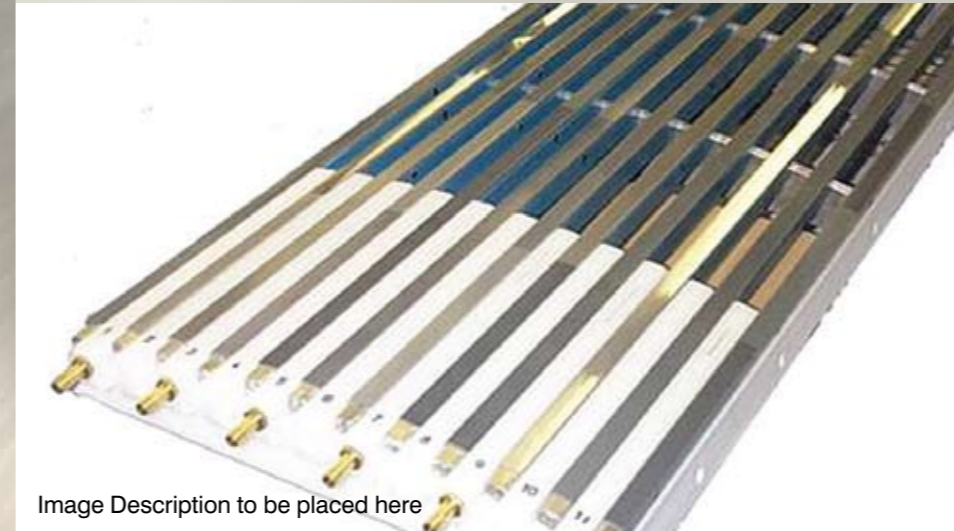


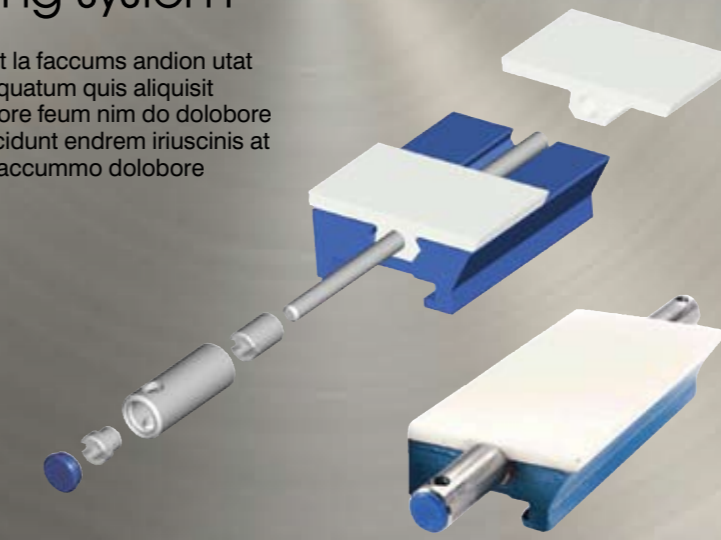
Image Description to be placed here

Cidunt doloreet la faccum andion utat non elenis nit, quatum quis aliquisit praesed dolobore feum nim do dolobore digna cor iriuscidunt endrem iriuscinis at

- praesed dolobore feum
- nim do dnt endrem iriuscinis at
- Cidunt doloreet la faccum
- andion n elenis nit, quatum

Our Unique blade Fastening system

Cidunt doloreet la faccum andion utat non elenis nit, quatum quis aliquisit praesed dolobore feum nim do dolobore digna cor iriuscidunt endrem iriuscinis at Cum zzriureet accummo dolobore vulputat.



Polyethylene & EVO2



Image Description to be placed here

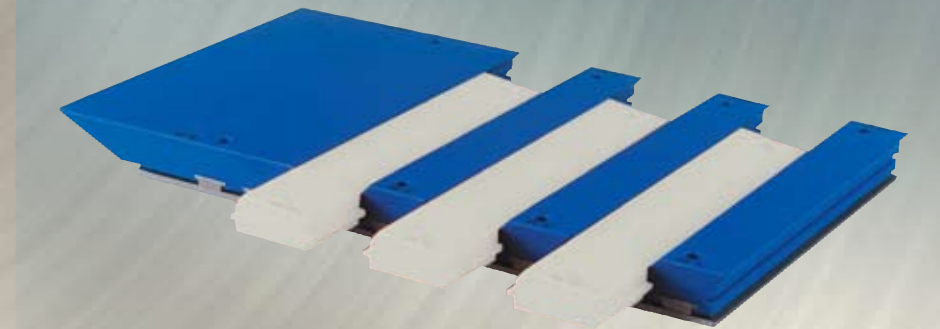
Cidunt doloreet la faccum andion utat non elenis nit, quatum quis aliquisit praesed dolobore feum nim do dolobore digna cor iriuscidunt endrem iriuscinis at

- praesed dolobore feum
- nim do dnt endrem iriuscinis at
- Cidunt doloreet la faccum
- andion n elenis nit, quatum



Concept 3 TurboForm

Cidunt doloreet la faccum andion utat non elenis nit, quatum quis aliquisit praesed dolobore feum nim do dolobore digna cor iriuscidunt endrem iriuscinis at Cum zzriureet accummo dolobore vulputat.



Doctors

Cidunt doloreet la faccum andion utat non elenis nit, do dolobore digna cor iriuscidunt endrem iriuscinis at



Cones

Cidunt doloreet la faccum andion utat non elenis nit, do dolobore digna cor iriuscidunt endrem iriuscinis at



**GL&V**

Worldwide



Headquarters

GL&V Pulp and Paper a division of Groupe Laperrière & Verreault Australia Pty. Ltd
Suite 6, 306 Station St / PO Box 42
FairField VIC 3078
Phone: 61(0)3 9482 5355
Fax: 61(0)3 9482 6255
Email : Ross.bradford@glv.com

GL&V Brasil Equipamentos, Comércio e Serviços Ltda
Galaria Plaza. Av. José Bonifacio
Coutinho Nogueira, 150 6º Andar Salas
604 e 606 Jardim, Campinas Sao Paulo
13091-611
Phone: 55-19-3707 2600
Email : info.brazil@glv.com

UK

E.L.P. PRODUCTS - DIWU OF GLV CANADA INC.
2820 - 54th AVENUE S.E.
CALGARY (Alberta) T2C 0A7
Phone: +1-403-279-2407
Fax: +1-403-236-5887

Europe

GL&V Finland
Sinikalliontie 9, Espoo
Phone: +358 9 5766 5600
Fax: +358 9 5766 5656
Email : info.espoo@glv.com

GL&V Sweden AB
22, rue Pierre Mendès, Torcy
Phone: 33 -1- 60-17-28-26
Fax: 33-1-60-05-86-12
Email : pierre-michel.salles@glv.com

GL&V Pulp and Paper a division of GL&V India Pvt. Ltd.
GL&V House, Plot No. 2C, S. No.
162/4A-5A, Off. D.P. Road, Aundh, Pune
Pune 411007
Phone: +91 20 25800 000
Fax: +91 20 25800213
Email : info.pune@glv.com

GL&V Sweden AB
RM 404, Keumwon Bldg.
Seoul
Phone: 82-2-569-8993
Fax: 82-2-569-8881
Email : info.seoul@glv.com

GL&V Sweden AB
Västertorpsvägen 135
Stockholm
Phone: +46 8 522 444 00
Fax: +46 8 522 444 99
Email : info.Stockholm@glv.com

Asia

GL&V Sweden AB
Sturegatan 2, Hedemora
Phone: +46 225 363 00
Fax: +46 225 135 90
Email : info.Hedemora@glv.com

America

GL&V USA
1000 Laval Blvd., Lawrenceville
(Georgia) 30043
Phone: 770-963-2100
Fax: +770-963-3679
Email : info.Lawrenceville@glv.com

GL&V USA
175 Crystal Street
Lenox (Massachusetts) 01240
Phone: 413-637-2424
Fax: 413-637-3740
Email : info.Lenox@glv.com

Canada

GL&V USA
141 Burke Street
Nashua (New Hampshire) 03060
Phone: 603-882-2711
Fax: 603-598-7832
Email : info.Nashua@glv.com