

## Filter Systems

### CTF Filter Systems (Flowtec)

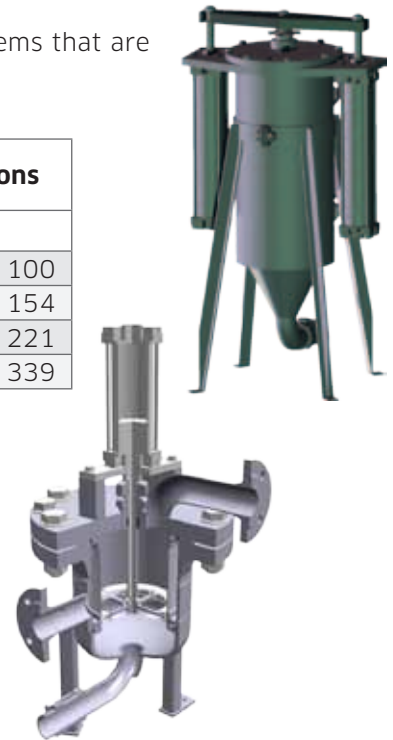
CTF filter systems are fully automated mechanical self-cleaning filter systems that are equipped with slotted, sintered mesh or perforated elements.

Type	Capacity*	Separation size	Connections	Max. Pressure	Dimensions
	[m <sup>3</sup> /h]	[µm]	[mm]	[bar]	[cm]
CTF04-SP	30	25 - 1500	50	40	51 x 53 x 100
CTF09-TP	90	25 - 1500	50, 80	10	49 x 56 x 154
CTF16-TP	125	25 - 1500	80, 100	10	49 x 56 x 221
CTF32-TP	260	25 - 1500	150	10	49 x 56 x 339

\*depending on medium / viscosity

CTF filters are designed for the filtration of a wide variety of different media, including high- and low-viscosity liquids, as well as abrasive or sticky media (e.g. coating colors, size, starch, paints, inks, adhesives, pigments and water).

CTF filter systems are successful in the market for years. They are suitable for new installations as well as for the conversion of existing filters.



### Dango & Dienenthal Filter Systems

The Dango & Dienenthal filter range includes fully automatic, self-cleaning backwash filter systems as well as separation systems for liquid filtration. The systems that are built in Germany are based on a carefully developed design.

Type	Capacity	Separation size	Connections	Max. Pressure
	[m <sup>3</sup> /h]	[µm]	[mm]	[bar]
DDF	5 - 10,500	≥ 5	50 - 10,000	63
RTF	80 - 4,000	≥ 5	100 - 1,000	63
RTF-S	3 - 100	≥ 5	40 - 100	63
JET-S	1 - 25	≥ 50	R 2"	10
JET	1 - 25,000	≥ 50	50 - 3,000	63
SPR	2 - 250	≥ 5	50 - 200	63
EF	5 - 10,000	≥ 10	15 - 1,000	63
DF	5 - 10,000	≥ 10	15 - 500	63



**DANGO & DIENTHAL**  
Filtertechnik GmbH

The main applications include power plants, building installations, the steel industry, paper industry, chemical industry, food-stuff industry, sewage plants and snow-making systems.

Dango & Dienenthal filter systems convince through a reliable filtration of solids, trouble-free operation and minimal cost of operation and maintenance.



## SF Filter Systems (Sofi Filtration)

The SF filter is an automatically self-cleaning micro-filtration system (cross-flow design) that is easy to install and economic to operate. The filter ensures that the operator has clean water to use, by separating even the finest solid particles from the liquids.

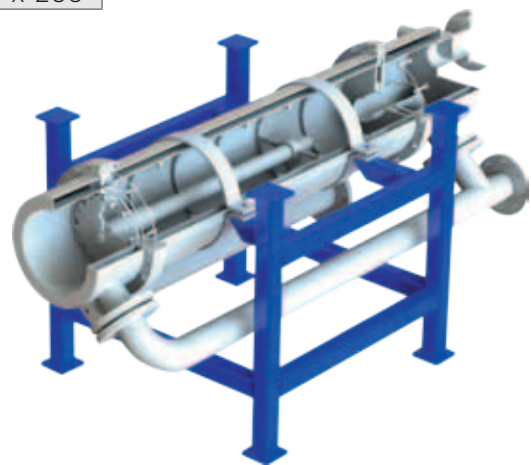
Type	Capacity	Separation size	Max. Pressure*	Dimensions
	[m <sup>3</sup> /h]	[µm]	[bar]	[cm]
SF 200	0,5 - 5	0,2 - 20	11	50 x 50 x 100
SF 1000	5 - 35	0,2 - 20	11	100 x 200 x 100
SF 8000	40 - 280	0,2 - 20	11	200 x 400 x 200

\*pressure reducing valve

SF filter solutions are designed to be used in various applications, including flue gas treatment, pre-treatment before reverse osmosis and textile process water recirculation.

You benefit from the automated self-cleaning process, no cartridge/bag filter changes, no need of chemicals, and a small footprint.

**sofi**  
FILTRATION



## BSW Filtersysteme (SPA Filtertechnik)

The BSW gravity strainer is a self-cleaning system, which works under atmospheric conditions for water flows up to 12,000 l/min. Typical applications are the mill's spray water supply, purification of sealing water from vacuum pumps, polishing of water from flocculation plants and cooling towers. The filter is also used for purification of intake water from lakes and rivers.

Type	Capacity	Separation size	Dimensions
	[m <sup>3</sup> /h]	[µm]	[cm]
BSW10	36 - 96	63	64 x 108 x 120
BSW14	48 - 132	80	89 x 142 x 154
BSW17	90 - 210	100	110 x 172 x 184
BSW22	120 - 360	140	135 x 221 x 232
BSW25	180 - 450	180	145 x 252 x 265
BSW30	240 - 700	250	175 x 298 x 311

Due to the bottom-up cleaning technique, the BSW gravity strainer achieves an exceptionally high operational reliability and is more effective and efficient in retaining solids and fibers, which results in an improved final filtrate. Large differences in contamination as well as fibrous contaminants are easily handled by the BSW gravity strainer.

BSW filter solutions are available in a variety of sizes and a wide range of media options.

**SPA**  
FILTERTechnik

