



Three Pieces Ball Valves 1000 WOG

Size 1/4" – 4" (DN 10 -100) Stainless Steel



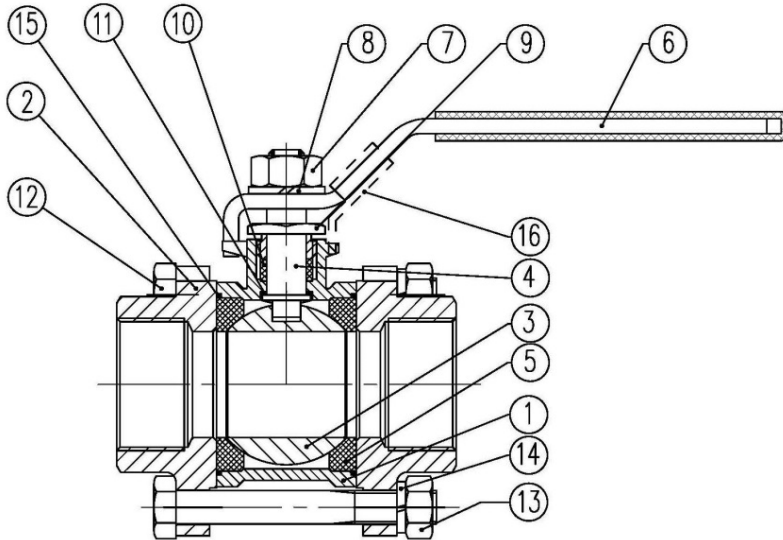
Fig. 141
FULL BORE
Threaded according:
ASME B1.20.1 (NPT)



Three Pieces Ball Valves 1000 WOG

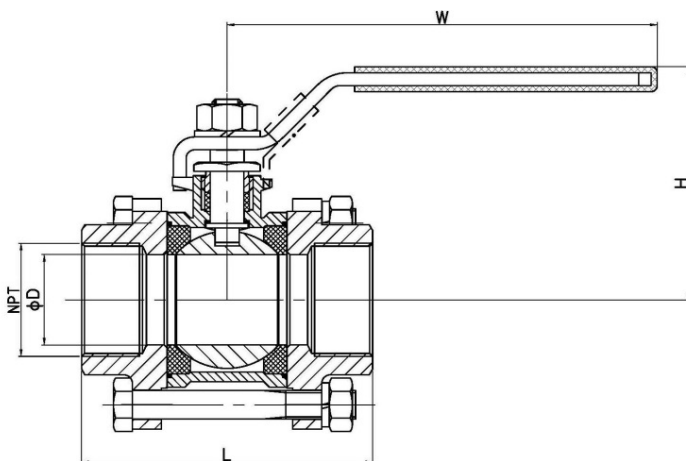
Parts and materials, Dimensions

Parts and materials



Itc	Description	Material
1	Body	1.4408
2	Body connector	1.4408
3	Ball	1.4408
4	Stem	1.4401
5	Seat ring	PTFE
6	Wrench	AISI 304
7	Wrench Nut	AISI 304
8	Wrench	AISI 304
9	Gland	AISI 304
10	Gland packing	PTFE
11	Stem thrust	PTFE
12	Bolt	1.4301
13	Nut	1.4301
14	Washer	AISI 304
15	Seat Gasket	PTFE
16	Lock Device	AISI 304

Dimensions



SIZE	NPS	ØD	L	W	H	WEIGHT
1/4" (DN 10)	1/4"	12	50	103	48	0,31
3/8" (DN 12)	3/8"	12	50	103	48	0,35
1/2" (DN 15)	1/2"	15	60	103	52	0,41
3/4" (DN 20)	3/4"	20	70	123	61	0,7
1" (DN 25)	1"	25	80	123	65	1,2
1 1/4" (DN 32)	1 1/4"	32	93	153	79	2
1 1/2" (DN 40)	1 1/2"	38	100	153	83	2,5
2" (DN 50)	2"	50	125	185	97	3,7
2 1/2" (DN 65)	2 1/2"	64	158	243	135	7,4
3" (DN 80)	3"	76	179	243	144	12,8
4" (DN 100)	4"	94	223	315	172	23

(*) Dimensions in mm and weight in kg.

Note:

Dimensions not subject to International Standards can vary in $\pm 10\%$. ICP reserves the right to change those dimensions without notice, due to they do not affect integrity and performance of the valves.



Three Pieces Ball Valves 1000 WOG

Torque, Kv, P&T Rating

Torque Values in Nm

VALVE SIZE	AT DIFFERENTIAL PRESSURE		VALVE SIZE	AT DIFFERENTIAL PRESSURE	
	63 bar			25 bar	
1/4" (DN 10)	5,6		2 1/2" (DN 65)	73,2	
3/8" (DN 12)	5,6		3" (DN 80)	128,8	
1/2" (DN 15)	9		4" (DN 100)	165,4	
3/4" (DN 20)	11,3				
1" (DN 25)	14,7				
1 1/4" (DN 32)	19,2				
1 1/2" (DN 40)	24,9				
2" (DN 50)	45,2				

Kv Values in m³/h

VALVE SIZE	Kv	VALVE SIZE	Kv
1/4" (DN 10)	6,6	1 1/2" (DN 40)	80,0
3/8" (DN 12)	6,6	2" (DN 50)	150,0
1/2" (DN 15)	11,2	2 1/2" (DN 65)	265,0
3/4" (DN 20)	21,0	3" (DN 80)	415,0
1" (DN 25)	34,0	4" (DN 100)	780,0
1 1/4" (DN 32)	57,0		

Pressure-Temperature

P Bar

