

# Model 1216 HP

## Description

Type	Safety and Relief valve		
Connections / Rating	Threaded	BSP / NPT	PN-100 / 250 / 400
Material	Stainless steel 316 L	Temperature range	-10 to +300°C Cryogenic service until -196°C

## Technical information

Applications	Steam, gases, vapours and liquids		
Min. Set pressure	30 barg	Max. Set pressure	300 barg
Overpressure	10%		
Blowdown	Gases 10%, liquids 20%		
Tolerance Set pressure	± 3%		

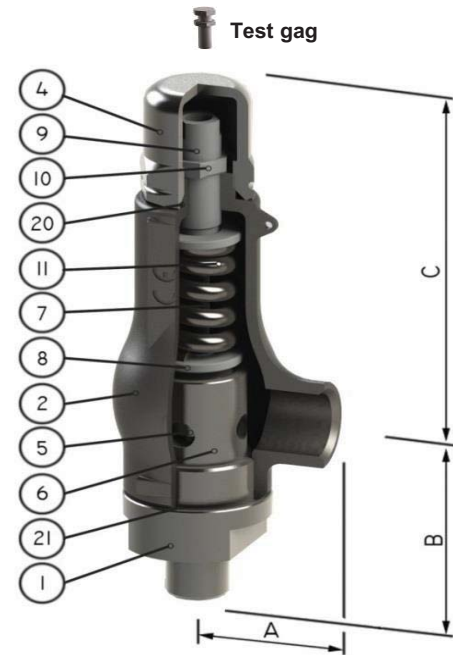
## Requirements

Calculation	EN-4126-1 / 7
Design	EN-12516-1, EN-4126-1 / 7 DIN 259 and ANSI B2.1
Materials	EN
Inspection	EN-4126-1 / 7

## Construction and materials

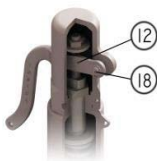
Item	Description	Material	
		Standard	Cryogenic
1	Nozzle	AISI-316L	AISI-316L
2	Body	A351 CF-3M	A351 CF-3M
4	Cap	A351 CF-8	A351 CF-8
5	Disc	17-4-PH	17-4-PH
6	Guide	AISI316L	AISI316L
7	Push Road	AISI-316L	AISI-316L
8	Spring Button	AISI-303	AISI-303
9	Ajusting Screw	AISI-303	AISI-303
10	Tensor Nut	AISI-303	AISI-303
11	Spring	INCONEL X 750	17 / 7PH
12	Lever	A351 CF8	A351 CF8
17	Release nut	AISI-316	AISI-316
18	Lever axis	AISI-303	AISI-303
19	Packing lever axis	AISI-303	AISI-303
20	Gasket	PTFE	PTFE
21	Gasket	GRAPHITE + S.S.	GRAPHITE + S.S.
22	Gasket	Viton	Viton

Recommended spare parts



## Options

Lifting device



Sealed packing lever



## Dimensions

	PN	Orifice	Area (mm <sup>2</sup> )	A (mm)	B (mm)	C (mm)	Weight (kg)
1" x 2"	PN-100	16	201	62	100	235	5
1 1/4" x 2"	PN-100	18	254	62	100	235	5
1 1/2" x 2"	PN-100	20	314	62	100	235	6
2" x 2"	PN-100	22	380	62	100	235	6,3
1/2" x 3/4"	PN-250	9	64	45	72	155	3
3/4" x 3/4"	PN-250	9	64	45	72	155	3
1" x 1"	PN-250	9	64	45	77	155	3
1/2" x 3/4"	PN-400	6	28	45	72	155	3
3/4" x 3/4"	PN-400	6	28	45	72	155	3
1" x 1"	PN-400	6	28	45	77	155	3